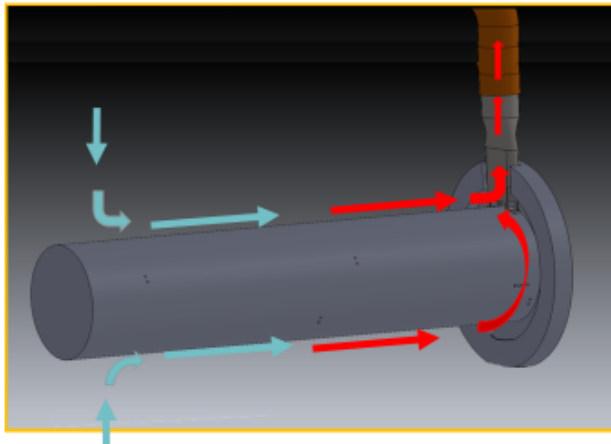
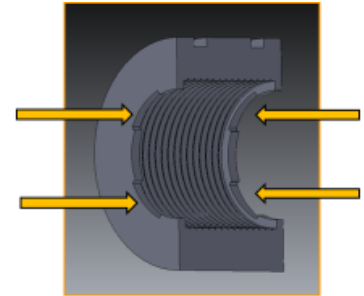
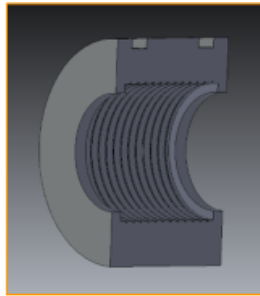


Rex Materials' TCS

Cooling Option

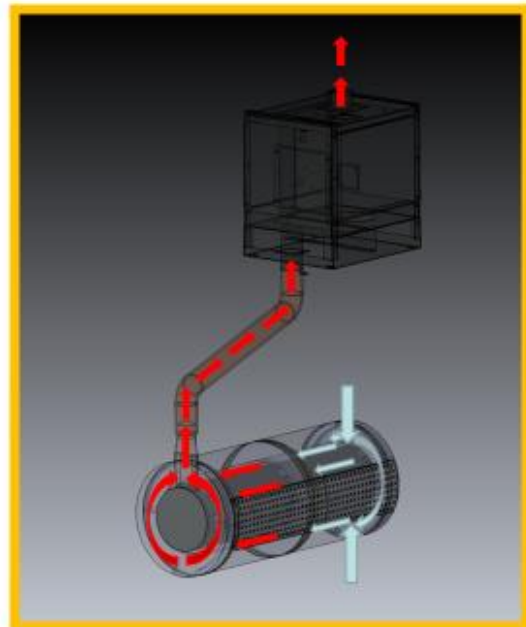
- TCS is available with an optional cooling system, designed to pull high-velocity air directly over the surface of the barrel, efficiently removing excess heat, and exhausting the heat where desired
- High Velocity Blower can be controlled manually or via system relays designed to initiate cooling

Cooling Channels are Added to TCS to allow Air Flow between Adjacent TCS Sections



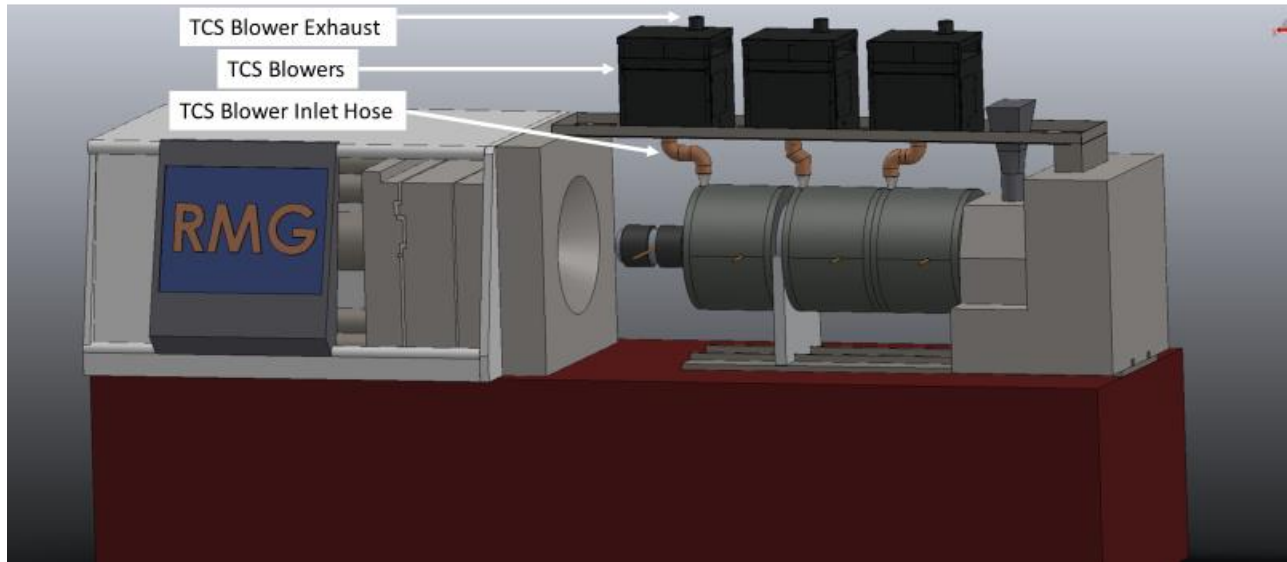
Cooling Rings allow air to be pull in one side (double ported ring), and be exhausted out the other (single ported ring) via the Barrel Hose Adaptor

High-Velocity, High-Temperature Blower pulls air out, via ducting, to be exhausted where desired





Length of TCS Blower Inlet Hose depends on the placement of the Blower.
Recommended to mount blowers over machine, for easy air exhaust, and with hose lengths of 1'-3'
Excessive hose length can diminish air flow and hence cooling capacity



TCS Kits supplied with Cooling include Barrel Hose Adaptors as well as requisite straps and caulking for installation. Hoses and Blowers are ordered as separate line-items, based on the application



- Barrel Hose Adaptor secured using strap(s) provided
- E-Z Fill is provided to fill gap between Adaptor and TCS Cooling Ring to Prevent Air Leakage

