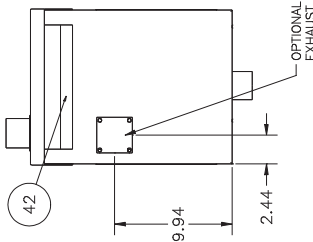
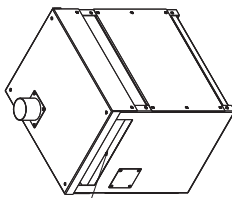
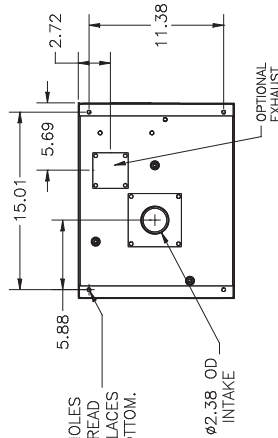
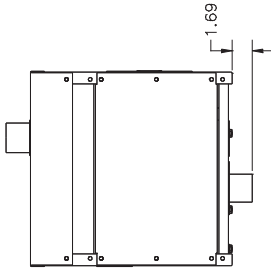
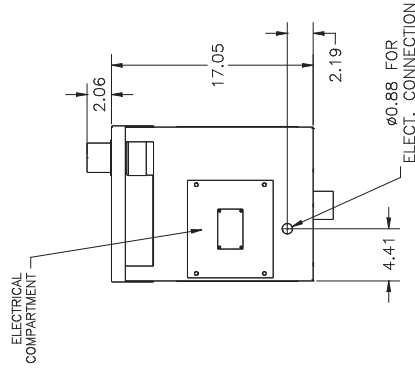
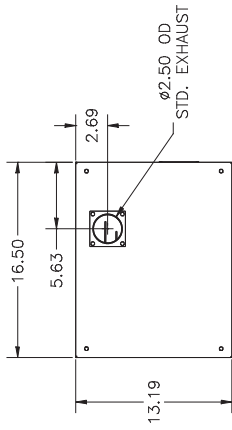
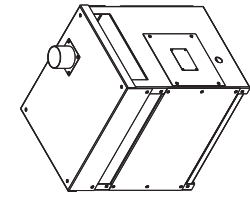
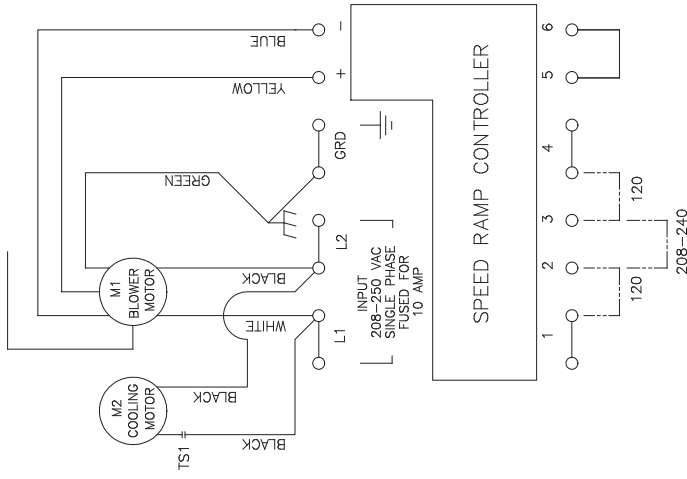


RED NOT USED IF PRESENT



MOUNTING HOLES
1/4-20 THREAD
TYPICAL 4 PLACES
TOP AND BOTTOM.

COOLING CONTROLLER WIRING OPTIONS

- OPT 1
120 VAC SIGNAL CONNECT TO 1 AND 4
CONNECT 1 TO 2
CONNECT 3 TO 4
- OPT 2
208-240 VAC SIGNAL CONNECT TO 1 AND 4
CONNECT 2 TO 3
- OPT 3
NORMALLY OPEN CONTACT CONNECT TO 5 AND 6.
CONNECT 1 TO L1
CONNECT 4 TO L2
CONNECT 2 TO 3
REMOVE JUMPER 5 TO 6

NOTE: TOTAL WEIGHT OF COOLING UNIT IS 25 LBS.

REX MATERIALS GROUP
5600 E. GRAND RIVER FOWLERVILLE, MI 48836
WWW.REXMATERIALS.COM

TITLE: TCS COOLING UNIT ASSEMBLY

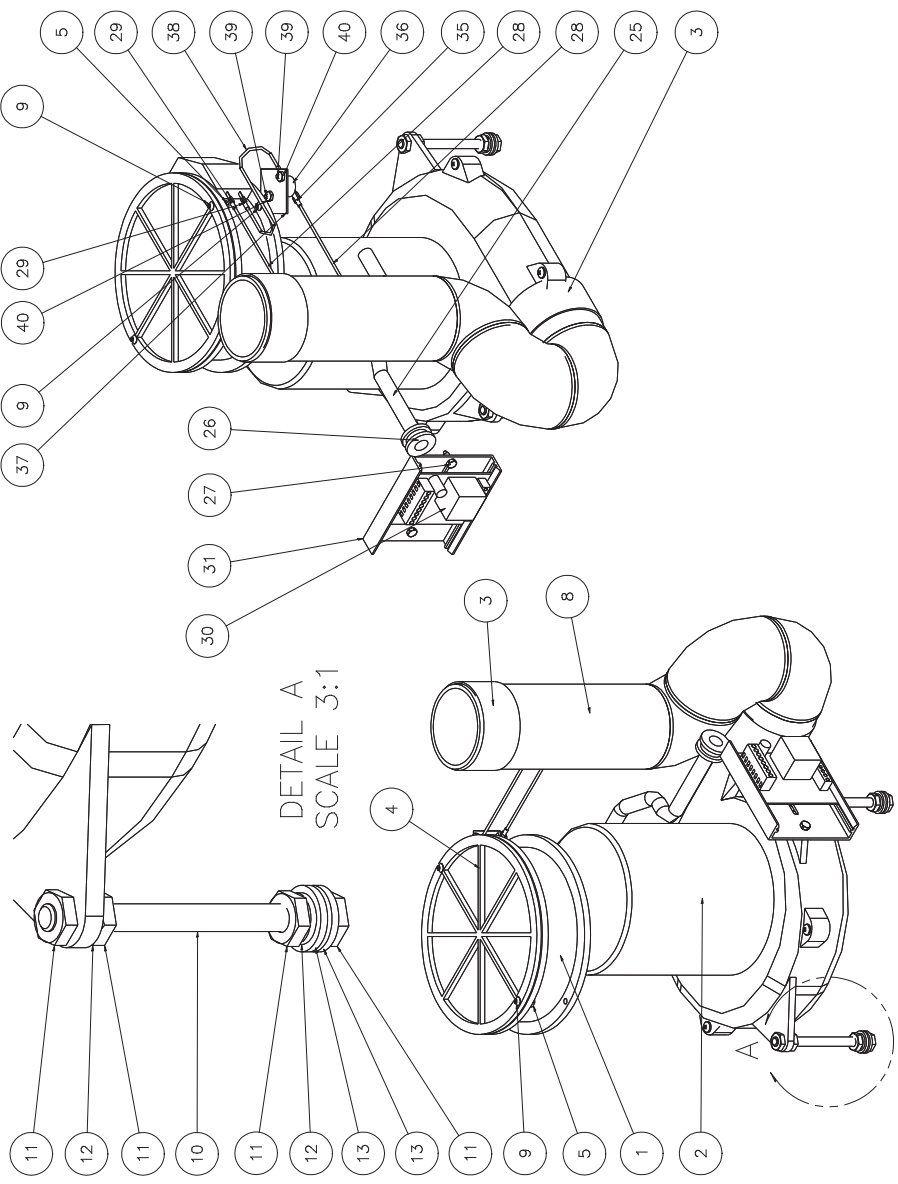
DWG No.: MMS-5001800 REV: 6

TOLERANCE (UNLESS OTHERWISE SPECIFIED)	
ANGLE ±	DECIMAL
2°	.XX ± .125
MATERIAL:	.XXX ± .062
DO NOT SCALE DRAWING	
SHEET No.: 1 OF 3	DRAWN No.: B

BY: GRS	DESIGNER: GRS	DATE: 8/28/07
GRS	CHECKED BY: GRS	DATE: 7/29/10
GRS	APPROVED BY: JJS	DATE: 7/29/10

DATE	ECO #	SWI	REVISION
8/28/07	0	0	INITIAL RELEASE
9/12/08	1	0	ADDED SOFT START CONTROLLER, REMOVED TRANSFORMER, ADDED THERMAL SWITCH EHW-00050-012, NEW WIRING DIAGRAM, NEW COOLING CONTROLLER WIRING OPTIONS, REMOVED TERMINAL STRIP.
			CHANGED 2" FOAM COIL-00100-135 TO 2 PIECES OF 1" FOAM STUCK TOGETHER, ADDED AIR FILTER.
			ADDED CHASSIS GROUND WIRE & RING TERMINAL.
3/27/08	11139	2	REMOVED AIR FILTER COIL-00100-206
5/27/08	11182	4	ADDED AIR FILTER COIL-00100-206, QTY OF EHW-00040-069 WAS 1, INPUT VOLTAGE WAS 208-265.
7/10/08	11210	5	REMOVED (50) MHW-00010-295, 1/4-20 SCREWS, REMOVED MHW-00010-124, 1/4" LOCK WASHERS, GRS
			ADDED (50) MHW-00010-296, #12 SHEET METAL SCREWS, REMOVED EHW-00030-084 CIRCUIT BOARD.
7/29/10	11102	6	ADDED EHW-00030-090, CIRCUIT BOARD.
			ITEM 7 WAS MFB-03188-001, PART NUMBER STAMPED ON NAMEPLATE WAS MMS-5001800.

ITEM	QTY	NAME	DESCRIPTION
1	1	EHW-00030-025	COOLING FAN 230 V. 295 CFM
2	1	EHW-00030-024	VACUUM BLOWER 230 V. 240 CFM
3	2	MHW-00050-028	HOSE CLAMP 60MM TO 80MM MASTERDUCT #530-060-100
4	1	MHW-00050-029	FAN GUARD
5	3	MHW-00010-260	NUT HEX 8-32 WITH NYLON INSERT
6	1	MFB-03161-001	ENCLOSURE ASSEMBLY
7	1	MFB-03080-001	TCS NAME PLATE
8	1	COM-00100-144	HOSE 2.6 ID 24" LONG
9	3	MHW-00010-258	8-32 X 3/4" HEXAGON SOCKET BUTTON HEAD CAP SCREW
10	3	MHW-00010-256	STUD 5/16-18 X 4" LONG
11	12	MHW-00010-259	5/16-18 HEAVY HEX JAM NUT
12	6	MHW-00010-006	5/16" HELICAL SPRING LOCK WASHER
13	6	MHW-00010-261	WASHER NEOPRENE BONDED 5/16" ID 3/4" OD
14	1	COM-00100-134	FOAM 1T 12.75W 16.13L W/HOLES BOTTOM
15	2	COM-00100-135	FOAM 1T 12.75W 16.13L W/HOLES FAN MTG.
16	1	COM-00100-136	FOAM 1T 13W 16.38L W/HOLES TOP
17	2	COM-00100-137	FOAM 1T 9.88W 14.29L COVER
18	1	COM-00100-138	FOAM 1T 10W 12.88L W/HOLE SIDE 1
19	1	COM-00100-139	FOAM 1T 4W 10L SIDE 2
20	1	COM-00100-140	FOAM 1T 7.88W 11L W/HOLE BACKPLATE WIDE
21	1	COM-00100-141	FOAM 1T 3W 11L BACKPLATE NARROW
22	1	COM-00100-142	FOAM 1T 4.5D W/HOLE INTAKE COVER
23	2	COM-00100-143	FOAM 1T 2.75D EXHAUST COVER
24	4	EHW-9000003	CABLE TIE 0.10 WIDE 4 LONG NYLON
25	1	EHW-00020-016	SLEEVING FIBER GLASS SILICONE RUBBER 0.450" ID 7.5" LONG
26	1	EHW-00020-017	GROMMET RUBBER 5"ID, 1/16" PANEL THICKNESS
27	53	MHW-00010-296	(SHEETMETAL) TAPPING SCREW
28	2	EHW-00010-020	WIRE 20 GA. TYPE PTFE BLACK 18" LONG
29	2	EHW-00040-076	FEMALE QUICK DISCONNECT TERMINAL 22-18 GA.
30	1	EHW-00030-090	BLOWER SPEED RAMP CONTROLLER
31	1	EHW-00030-085	SNAP TRACK 4" LONG
32	1	DOC-0200001	ELECTRICAL SCHEMATIC
33	4	MHW-00010-310	POP RIVET
34	2	EHW-00040-069	RING TERMINAL 16-14 GA WIRE 1/4" STUD NON INSULATED
35	2	EHW-00040-093	FEMALE QUICK DISCONNECT TERMINAL 22-18 GA.
36	1	EHW-00050-012	THERMAL SWITCH N.O. SET 45 DEGREES C.
37	1	MFB-03210-001	ALUMINUM MOUNTING BRACKET
38	1	JUMPER	WIRE 20 GA. TYPE PTFE BLACK 6" LONG
39	2	MHW-0100015	6-32 SLOTTED ROUND HEAD MACHINE SCREW
40	2	MHW-0400003	6-32 HEX NUT W/ LOCKWASHER
41	1	EHW-00010-021	WIRE 16 GA. GREEN 3" LONG
42	1	COM-00100-206	AIR FILTER



REX MATERIALS GROUP
 5600 E. GRAND RIVER FOWLERVILLE, MI 48836
 WWW.REXMATERIALS.COM

TITLE: TCS COOLING UNIT ASSEMBLY

DWG No.: MMS-5001800 REV: 6

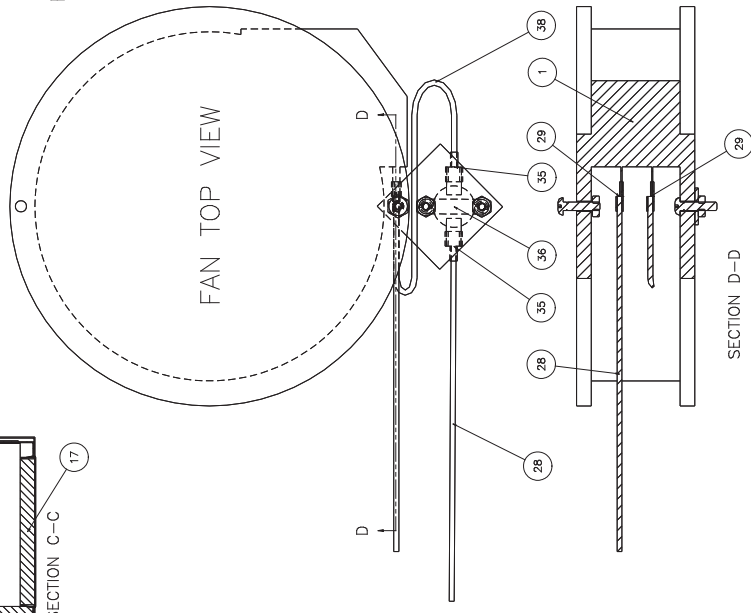
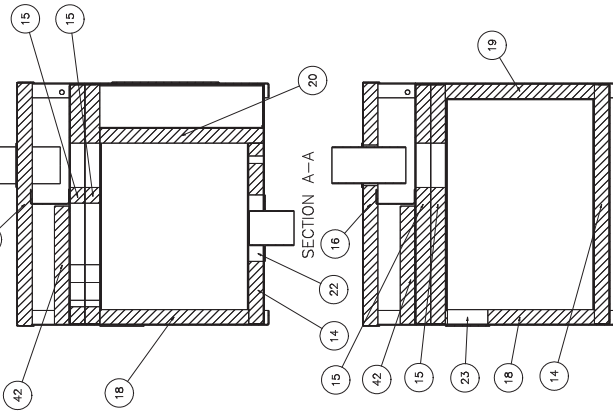
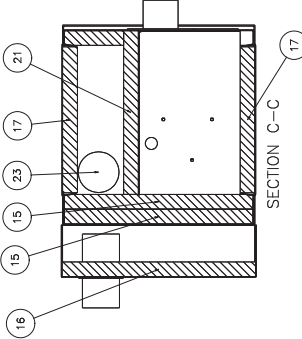
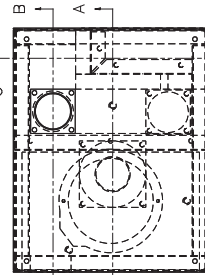
TOLERANCE (UNLESS OTHERWISE SPECIFIED) ANGLE ± 2° DECIMAL .XX ± .125 .XXX ± .062	
MATERIAL: DO NOT SCALE DRAWING	
DRAWN SCALE: φ	SHEET No.: 2 OF 3
DRAWN SIZE: B	

PROPRIETARY INFORMATION
 THIS DRAWING AND THE CONTENTS THEREOF CONTAIN TRADE SECRETS AND CONFIDENTIAL PROPRIETARY INFORMATION OF RMG TECHNOLOGIES, INC.
 REPRODUCTION OR THE USE OF THIS INFORMATION IS STRICTLY PROHIBITED WITHOUT WRITTEN CONSENT OF RMG TECHNOLOGIES, INC.

DESIGNER: GRS DATE: 8/28/07
 CHECKED BY: GRS DATE: 7/29/10
 APPROVED BY: JJS DATE: 7/29/10

DATE	ECO #	SM	REVISION
8/28/07			INITIAL RELEASE
9/12/08	11098	1	SEE SHIT 1 FOR DETAILS
3/27/08	11139	2	SEE SHIT 1 FOR DETAILS
4/22/09	11161	3	ITEM 26 PART NUMBER EHW-9000003 WAS EHW-00030-029.
5/27/09	11182	4	SEE SHIT 1 FOR DETAILS
7/13/09	11710	5	SEE SHIT 1 FOR DETAILS
7/29/10	11102	6	SEE SHIT 1 FOR DETAILS

TOP VIEW



RMG
 Part No. TCS-0701800
 Job No./SN DATE "XX/XX/XX"
 Volts 240 VAC
 Watts Amps 10
 REX MATERIALS, INCORPORATED
 5600 E. GRAND RIVER, P.O. BOX 980
 FOWLERVILLE, MICHIGAN 48836 USA
 517-223-3787 www.rexmater.com

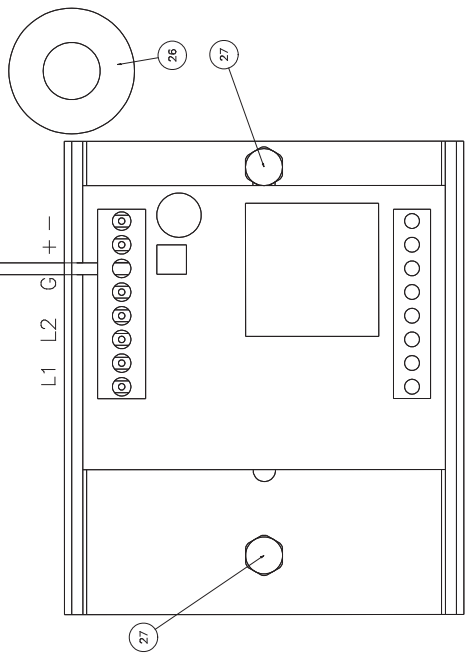
NAME PLATE

GREEN WIRE FROM BLOWER

L1 L2 G + -

1 2 3 4 5 6

BACKPLATE LAYOUT



REX MATERIALS GROUP
 5600 E. GRAND RIVER FOWLERVILLE, MI 48836
 (517) 223-3787 WWW.REXMATERIALS.COM
 TITLE: TCS COOLING UNIT ASSEMBLY

TOLERANCE (UNLESS OTHERWISE SPECIFIED)	
ANGLE ±	DECIMAL
2°	.XX ± .125
	.XXX ± .062
MATERIAL: DO NOT SCALE DRAWING	
DRAWN SCALE: φ	SHEET No.: 3 OF 3
DWG No.:	SIZE: B
MMS-5001800	
REV: 6	

BY: GRS	DESIGNER: GRS	DATE: 8/28/07
CHKD: GRS	CHECKED BY: GRS	DATE: 7/29/10
APP: JJS	APPROVED BY: JJS	DATE: 7/29/10

DATE	ECO #	SMV	REVISION
8/28/07	0	1	INITIAL RELEASE
5/12/09	11096	1	SEE SHIT 1 FOR DETAILS
3/27/09	11139	2	SEE SHIT 1 FOR DETAILS
4/22/09	11161	3	ITEM 26 PART NUMBER EHW-9000003 WAS EHW-00030-029 (SEE SHEET 2).
5/27/09	11182	4	SEE SHIT 1 FOR DETAILS
7/13/09	11210	5	SEE SHIT 1 FOR DETAILS
7/29/10	11102	6	SEE SHIT 1 FOR DETAILS